

# HAELOK® Tool inlays HLK-61 PI

Tool inserts are available for the press tools PT1228, PT3060 & PT76114 for pipe outer diameter from 12 mm to 114.3 mm. Thus, a wide range of applications can be covered with only one tool.  
The HAELOK® tool inlays are made of hardened steel and magnetically held in the tool.

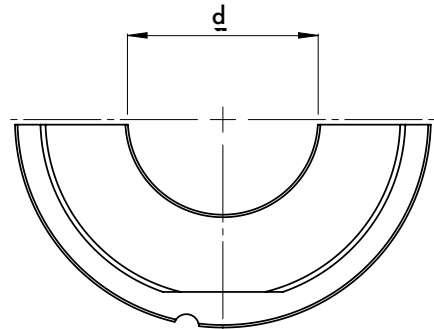


ONLINE-INFO



## Technical data

- pipe outer diameter from 12 - 114 mm
- CE-conform and TÜV-certified
- Hardened material
- Magnetic for press tools



### Inlays for Press Tool PT1228

Tool inserts for fitting sizes  $\varnothing$ 12 mm to 28 mm are available for the press tool PT1228.

Article No.	for fitting size:	DN	d	PU (pcs.)
HLK-61 PI-1213	12		16.5	Set
HLK-61 PI-1516	15,16		20.5	Set
HLK-61 PI-1718	17,18	10	22.5	Set
HLK-61 PI-20	20		24.5	Set
HLK-61 PI-2122	21,22	15	26.5	Set
HLK-61 PI-25	25		29.5	Set
HLK-61 PI-26	26	20	31.5	Set
HLK-61 PI-28	28		32.5	Set

**Inlays for Press Tool PT3060**

Tool inserts are available for the press tool PT3060 for pipe outer diameter from 30 - 60 mm.

Article No.	for fitting size:	DN	d	PU (pcs.)
HLK-61 PI-30	30		37.5	Set
HLK-61 PI-33	33	25	41.5	Set
HLK-61 PI-35	35		42.5	Set
HLK-61 PI-38	38		45.5	Set
HLK-61 PI-42	42	32	49.5	Set
HLK-61 PI-48	48	40	55.5	Set
HLK-61 PI-60	60	50	68	Set

**Inlays for Press Tool PT76114**

For the press tool PT76114, tool inserts for pipe outer diameter from 76 - 114 mm are included with the tool.

Article No.	for fitting size:	DN	d	PU (pcs.)
HLK-61 PI-76	76	65	85	Set
HLK-61 PI-88	88	80	99.2	Set
HLK-61 PI-114	114	100	128.5	Set

Please order the corresponding tool inserts separately (except PT76114): One insert (apart PI-114) consists of four parts and can easily be stored in the transport case.

**Inches and metric fittings require specific press tools and corresponding inserts for proper installation.**

For fittings HLK-10 and HLK-12, please contact us regarding HLK-12 fittings.

Pipe Outer Diameter	DN	Fitting Size	Presstool PT 0613 6 - 13 mm	Presstool PT 1228 12 - 28 mm Inlay 4er Set	Presstool PT 3060 30 - 60 mm Inlay set of 4	Presstool PT 76114 76 - 114 mm Inlay
10	6	10	HLK-61 PT-0613			
12		12	HLK-61 PT-0613	HLK-61 PI-1213		
1/4"	8	13	HLK-61 PT-0613	HLK-61 PI-1213		
15		15		HLK-61 PI-1516		
16		16		HLK-61 PI-1516		
3/8"	10	17		HLK-61 PI-1718		
18		18		HLK-61 PI-1718		
20		20		HLK-61 PI-20		
1/2"	15	21		HLK-61 PI-2122		
22		22		HLK-61 PI-2122		
25		25		HLK-61 PI-25		
3/4"	20	26		HLK-61 PI-26		
28		28		HLK-61 PI-28		
30		30			HLK-61 PI-30	
1"	25	33			HLK-61 PI-33	
35		35			HLK-61 PI-35	
38		38			HLK-61 PI-38	
1 1/4"	32	42			HLK-61 PI-42	
1 1/2"	40	48			HLK-61 PI-48	
2"	50	60			HLK-61 PI-60	
2 1/2"	65	76				HLK-61 PI-76
3"	80	88				HLK-61 PI-88
4"	100	114				HLK-61 PI-114

All figures in mm; others are specifically marked. Subject to misprints and technical changes.

Status of Product Information: 2023-07 For the most current version and additional details, please visit our website: [www.haelok.com](http://www.haelok.com)