

# HAELOK® Press Tool PT 3060

The press tool consists of a hard anodized housing and a maintenance-free closing mechanism, and the battery-powered hydraulic unit is state-of-the-art and guarantees a perfect and carefree installation in any situation. By simply changing the tool inserts, the press tool can cover Pipe outer diameter from 30 to 60.3 mm. All HAELOK® press tools are CE-conform.



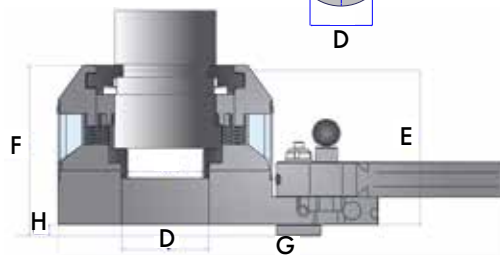
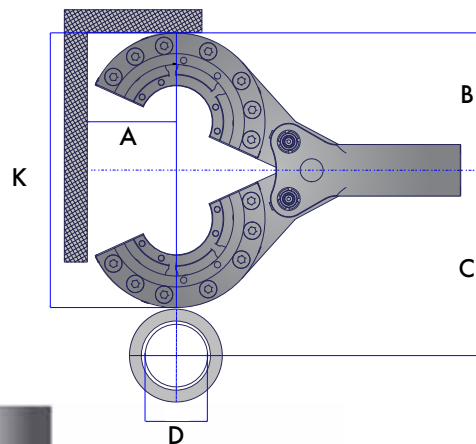
ONLINE-INFO



### Technical data

- For pipe outer diameter from 30 - 60.3 mm
- 8 kg in weight
- Long service intervals - therefore low maintenance and Repair costs
- CE conformity and TÜV certification
- Delivery in handy case Including carrying strap, charging station, and two lithium-ion batteries 18V/3.0 Ah

Each tool can be rented and financed.



### Press Tool Set PT3060

Set includes: press tool, hydraulic unit, two batteries incl. charger, transport case

Article No.	d	A	B	C	E	H	F	G	D	K	K (closed tool)	Press time (ø,sec)	Weight (g)	VE (Stk.)
HLK-61PT-3060	30-60	80	110	140-150	110.75	8	128	324	63	240	160	16-20	8000	1